

AZH系列

基本型真空发生器

AIRBEST



通用

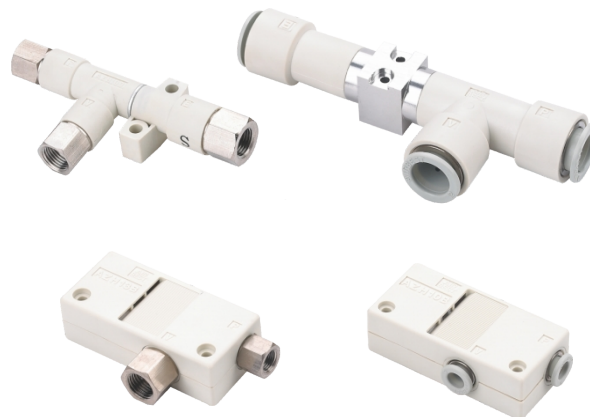
RoHS

特点

- ◇ 基本型发生器，主体材料塑料制成
- ◇ 不同口径的高真空型和大流量型
- ◇ 有单体和盒型（内置消音器）两种结构
- ◇ 端口连接规格有螺纹连接和快插接头两种

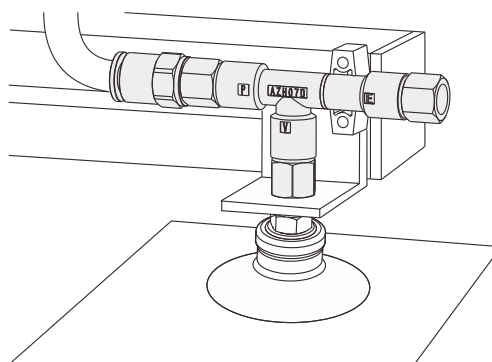
优势

- ◇ 体积小，重量轻，成本低
- ◇ 可以满足各种工况使用需求
- ◇ 单体结构简单，盒型内置消音器，降低产品噪音
- ◇ 客户可以任意选择连接方式



应用

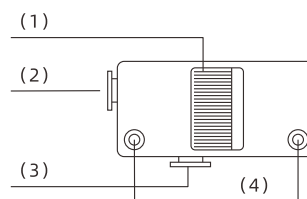
- ◇ 较为通用的真空发生器，常应用于各类真空系统中
- ◇ 适合各种搬运作业，如汽车、金属板材、木工、食品、包装等
- ◇ 有高真空、大流量两种不同形式，用于不同场合



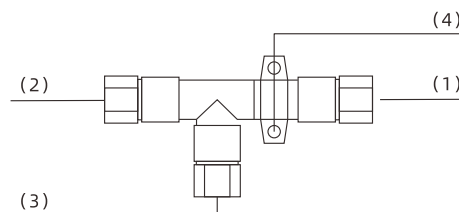
结构

- ◇ (1) 排气口
- ◇ (2) 供气口
- ◇ (3) 真空口
- ◇ (4) 安装孔

B - 盒型



D - 单体型



AZH系列

基本型真空发生器

型号规格

AZH 07 B S - 06 - 06
 AZH 07 D S - 01 - 01 - 01

① ② ③ ④ ⑤ ⑥ ⑦

| ① 产品系列 | ② 喷嘴直径 | ③ 外形规格 | ④ 性能规格 | ⑤ 供气口规格 | ⑥ 真空口规格 | ⑦ 排气口规格 |
|--------|-------------|---------|----------|---------------|---------------|---------------|
| AZH | 05 - φ0.5mm | B - 盒型 | S - 高真空型 | 06 - φ6快插接头 | 06 - φ6快插接头 | 06 - φ6快插接头 |
| | 07 - φ0.7mm | D - 单体型 | (-88kPa) | 08 - φ8快插接头 | 10 - φ10快插接头 | 08 - φ8快插接头 |
| | 10 - φ1.0mm | | L - 大流量型 | 10 - φ10快插接头 | 12 - φ12快插接头 | 10 - φ10快插接头 |
| | 13 - φ1.3mm | | (-48kPa) | 12 - φ12快插接头 | 16 - φ16快插接头 | 12 - φ12快插接头 |
| | 15 - φ1.5mm | | | 01 - Rc1/8内螺纹 | 01 - Rc1/8内螺纹 | 16 - φ16快插接头 |
| | 18 - φ1.8mm | | | 02 - Rc1/4内螺纹 | 02 - Rc1/4内螺纹 | 01 - Rc1/8内螺纹 |
| | 20 - φ2.0mm | | | 03 - Rc3/8内螺纹 | 03 - Rc3/8内螺纹 | 02 - Rc1/4内螺纹 |
| | | | | 04 - Rc1/2内螺纹 | 03 - Rc3/8内螺纹 | 04 - Rc1/2内螺纹 |

选型规格 - 盒型

| 型号/外形规格 BS | | BL | |
|---------------|---------------|---------------|---------------|
| AZH05BS-06-06 | AZH05BS-01-01 | AZH05BL-06-06 | AZH05BL-01-01 |
| AZH07BS-06-06 | AZH07BS-01-01 | AZH07BL-06-06 | AZH07BL-01-01 |
| AZH10BS-06-06 | AZH10BS-01-01 | AZH10BL-06-06 | AZH10BL-01-01 |
| AZH13BS-08-10 | AZH13BS-01-02 | AZH13BL-08-10 | AZH13BL-01-02 |

选型规格 - 单体型

| 型号/外形规格 DS | | DL | |
|------------------|------------------|------------------|------------------|
| AZH05DS-06-06-06 | AZH05DS-01-01-01 | AZH05DL-06-06-06 | AZH05DL-01-01-01 |
| AZH07DS-06-06-06 | AZH07DS-01-01-01 | AZH07DL-06-06-06 | AZH07DL-01-01-01 |
| AZH10DS-06-06-08 | AZH10DS-01-01-01 | AZH10DL-06-06-08 | AZH10DL-01-01-01 |
| AZH13DS-08-10-10 | AZH13DS-01-02-02 | AZH13DL-08-10-10 | AZH13DL-01-02-02 |
| AZH15DS-10-12-12 | AZH15DS-02-03-03 | AZH15DL-10-12-12 | AZH15DL-02-03-03 |
| AZH18DS-12-12-12 | AZH18DS-03-03-03 | AZH18DL-12-12-12 | AZH18DL-03-03-03 |
| AZH20DS-12-16-16 | AZH20DS-03-04-04 | AZH20DL-12-16-16 | AZH20DL-03-04-04 |

性能参数

| 产品型号 | 额定供气压力 bar | 最大真空度-kPa | | 最大真空流量NL/min | | 空气耗气量 NL/min | 噪音 dB(A) | 工作温度 °C | 单重 g | 推荐软管直径mm | | |
|--------|---------------|-----------|----|--------------|----|-----------------|-------------|------------|---------|----------|------|------|
| | | S | L | S | L | | | | | 供气口S | 真空口V | 排气口E |
| AZH05B | 4.5 | 88 | 48 | 5 | 9 | 13.5 | 68 | 5~50 | 28 | φ6 | φ6 | - |
| AZH07B | 4.5 | 88 | 48 | 12 | 22 | 23.5 | 68 | 5~50 | 28 | φ6 | φ6 | - |
| AZH10B | 4.5 | 88 | 48 | 24 | 34 | 46.0 | 72 | 5~50 | 33 | φ6 | φ6 | - |
| AZH13B | 4.5 | 88 | 48 | 40 | 75 | 78.0 | 72 | 5~50 | 66 | φ8 | φ10 | - |

AZH系列

基本型真空发生器



性能参数

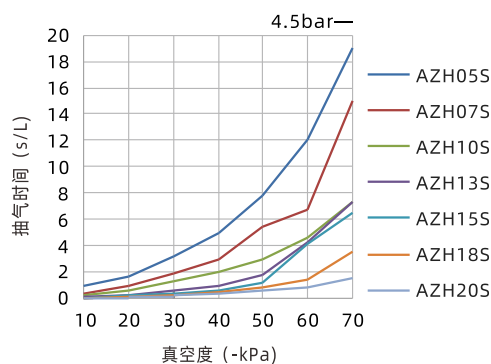
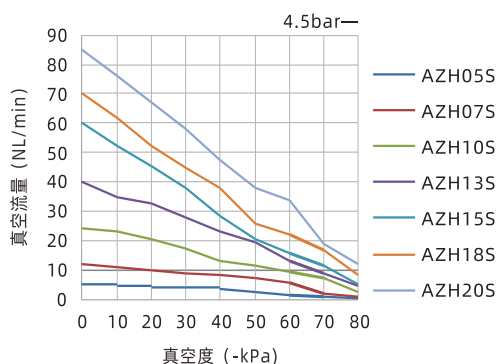
| 产品型号 | 额定供气压力 bar | 最大真空度-kPa | | 最大真空流量NL/min | | 空气耗气量 NL/min | 噪音 dB(A) | 工作温度 °C | 单重 g | 供气口S | 推荐软管直径mm | |
|--------|---------------|-----------|----|--------------|-----|-----------------|-------------|------------|---------|------|----------|------|
| | | S | L | S | L | | | | | | 真空口V | 排气口E |
| AZH05D | 4.5 | 88 | 48 | 7.5 | 9 | 13.5 | 75 | 5~50 | 11 | φ6 | φ6 | φ6 |
| AZH07D | 4.5 | 88 | 48 | 12 | 22 | 23.5 | 75 | 5~50 | 12 | φ6 | φ6 | φ6 |
| AZH10D | 4.5 | 88 | 48 | 24 | 34 | 46.0 | 68 | 5~50 | 16 | φ6 | φ6 | φ8 |
| AZH13D | 4.5 | 88 | 48 | 40 | 75 | 78.0 | 68 | 5~50 | 27 | φ8 | φ10 | φ10 |
| AZH15D | 4.5 | 88 | 53 | 60 | 80 | 97.0 | 72 | 5~50 | 43 | φ10 | φ12 | φ12 |
| AZH18D | 4.5 | 88 | 53 | 70 | 110 | 150.0 | 72 | 5~50 | 55 | φ12 | φ12 | φ12 |
| AZH20D | 4.5 | 88 | 53 | 85 | 140 | 185.0 | 75 | 5~50 | 95 | φ12 | φ16 | φ16 |

不同真空度 (-kPa) 的真空流量 (NL/min)

| 产品型号 | 供气压力 bar | 空气耗气量 NL/min | 真空度 (-kPa) | | | | | | | | | | 最大真空度 -kPa |
|--------|-------------|-----------------|------------|------|------|------|------|------|------|------|------|----|---------------|
| | | | 0 | 10 | 20 | 30 | 40 | 50 | 60 | 70 | 80 | | |
| AZH05S | 4.5 | 13.5 | 5.0 | 4.5 | 4.1 | 3.8 | 3.3 | 2.3 | 1.6 | 0.9 | 0.3 | 88 | |
| AZH07S | 4.5 | 23.5 | 12.0 | 11.0 | 10.0 | 9.0 | 8.0 | 7.0 | 5.5 | 2.1 | 0.8 | 88 | |
| AZH10S | 4.5 | 46.0 | 24.0 | 23.0 | 20.5 | 17.5 | 13.0 | 11.5 | 9.5 | 7.0 | 2.5 | 88 | |
| AZH13S | 4.5 | 78.0 | 40.0 | 35.0 | 32.5 | 28.0 | 23.0 | 19.5 | 13.0 | 9.0 | 4.5 | 88 | |
| AZH15S | 4.5 | 97.0 | 60.0 | 52.5 | 45.5 | 38.0 | 28.5 | 20.5 | 15.5 | 11.5 | 5.0 | 88 | |
| AZH18S | 4.5 | 150.0 | 70.0 | 62.0 | 52.0 | 45.0 | 38.0 | 26.0 | 22.0 | 16.5 | 8.5 | 88 | |
| AZH20S | 4.5 | 185.0 | 85.0 | 76.0 | 67.0 | 58.0 | 47.5 | 38.0 | 33.5 | 19.0 | 12.0 | 88 | |

不同真空度 (-kPa) 的抽气时间 (s/L)

| 产品型号 | 供气压力 bar | 空气耗气量 NL/min | 真空度 (-kPa) | | | | | | | | 最大真空度 -kPa |
|--------|-------------|-----------------|------------|------|------|------|------|-------|-------|----|---------------|
| | | | 10 | 20 | 30 | 40 | 50 | 60 | 70 | | |
| AZH05S | 4.5 | 13.5 | 0.89 | 1.70 | 3.20 | 5.00 | 7.80 | 12.00 | 19.00 | 88 | |
| AZH07S | 4.5 | 23.5 | 0.37 | 1.00 | 1.90 | 3.00 | 5.40 | 6.70 | 15.00 | 88 | |
| AZH10S | 4.5 | 46.0 | 0.25 | 0.60 | 1.25 | 2.00 | 2.90 | 4.60 | 7.30 | 88 | |
| AZH13S | 4.5 | 78.0 | 0.10 | 0.27 | 0.53 | 1.00 | 1.75 | 4.20 | 7.30 | 88 | |
| AZH15S | 4.5 | 97.0 | 0.04 | 0.21 | 0.35 | 0.63 | 1.23 | 4.10 | 6.50 | 88 | |
| AZH18S | 4.5 | 150.0 | 0.02 | 0.15 | 0.29 | 0.46 | 0.78 | 1.38 | 3.51 | 88 | |
| AZH20S | 4.5 | 185.0 | 0.02 | 0.12 | 0.21 | 0.34 | 0.55 | 0.85 | 1.58 | 88 | |



AZH系列

基本型真空发生器

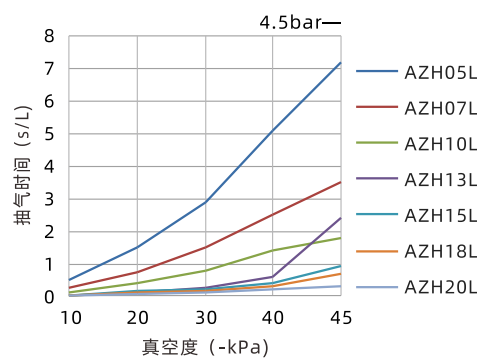
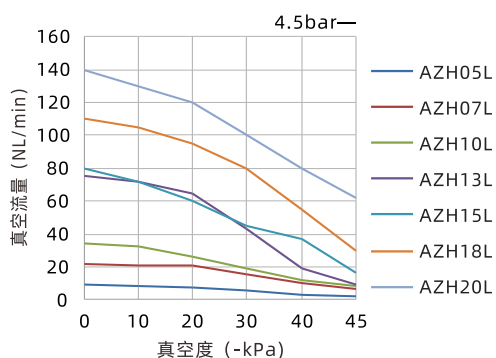
不同真空度 (-kPa) 的真空流量 (NL/min)

| 产品型号 | 供气压力 bar | 空气耗气量 NL/min | 0 | 10 | 20 | 30 | 40 | 45 | 最大真空度 -kPa |
|--------|----------|--------------|-------|-------|-------|-------|------|------|------------|
| AZH05L | 4.5 | 13.5 | 9.0 | 8.0 | 7.0 | 6.0 | 3.0 | 1.9 | 48 |
| AZH07L | 4.5 | 23.5 | 22.0 | 21.0 | 20.5 | 15.5 | 10.5 | 6.8 | 48 |
| AZH10L | 4.5 | 46.0 | 34.0 | 32.0 | 26.0 | 19.0 | 12.0 | 8.0 | 48 |
| AZH13L | 4.5 | 78.0 | 75.0 | 72.0 | 65.0 | 43.0 | 19.0 | 9.0 | 48 |
| AZH15L | 4.5 | 97.0 | 80.0 | 72.0 | 60.0 | 45.0 | 36.5 | 16.0 | 53 |
| AZH18L | 4.5 | 150.0 | 110.0 | 105.0 | 95.0 | 80.0 | 55.0 | 30.0 | 53 |
| AZH20L | 4.5 | 185.0 | 140.0 | 130.0 | 120.0 | 100.0 | 80.0 | 62.0 | 53 |

不同真空度 (-kPa) 的真空流量 (NL/min)

| 产品型号 | 供气压力 bar | 空气耗气量 NL/min | 10 | 20 | 30 | 40 | 45 | 最大真空度 -kPa |
|--------|----------|--------------|------|------|------|------|------|------------|
| AZH05L | 4.5 | 13.5 | 0.49 | 1.50 | 2.90 | 5.10 | 7.20 | 48 |
| AZH07L | 4.5 | 23.5 | 0.28 | 0.75 | 1.50 | 2.50 | 3.50 | 48 |
| AZH10L | 4.5 | 46.0 | 0.14 | 0.40 | 0.81 | 1.40 | 1.80 | 48 |
| AZH13L | 4.5 | 78.0 | 0.04 | 0.12 | 0.24 | 0.62 | 2.40 | 48 |
| AZH15L | 4.5 | 97.0 | 0.03 | 0.15 | 0.23 | 0.40 | 0.92 | 53 |
| AZH18L | 4.5 | 150.0 | 0.02 | 0.10 | 0.18 | 0.32 | 0.67 | 53 |
| AZH20L | 4.5 | 185.0 | 0.01 | 0.08 | 0.14 | 0.20 | 0.30 | 53 |

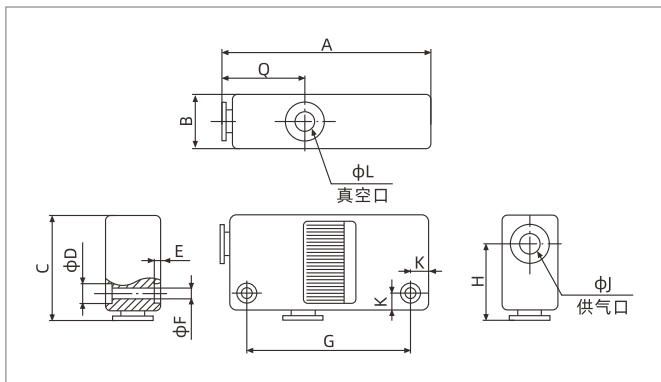
性能参数



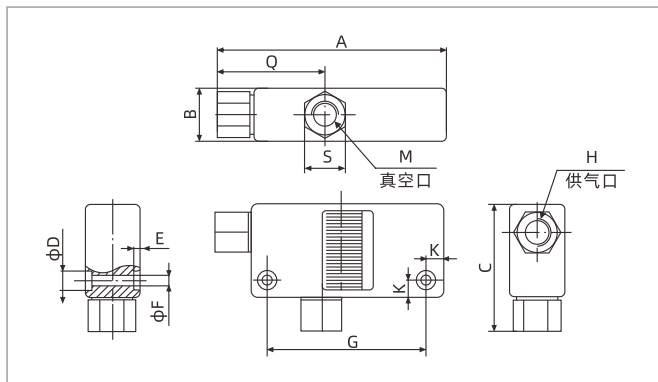
AZH系列

基本型真空发生器

尺寸规格 (mm)



AZH - B 盒型快插接头



AZH - B 盒型内螺纹连接

| 型号/尺寸 | A | B | C | D | E | F | G | H | Q | L | K | J |
|--------------|----|----|------|-----|---|-----|----|------|----|----|---|---|
| AZH05B-06-06 | 60 | 16 | 31 | 5.8 | 2 | 3.2 | 47 | 22 | 24 | 6 | 5 | 6 |
| AZH07B-06-06 | 60 | 16 | 31 | 5.8 | 2 | 3.2 | 47 | 22 | 24 | 6 | 5 | 6 |
| AZH10B-06-06 | 63 | 18 | 32 | 5.8 | 2 | 3.2 | 50 | 23 | 26 | 6 | 5 | 6 |
| AZH13B-08-10 | 78 | 23 | 38.5 | 7.5 | 3 | 4.2 | 61 | 27.5 | 28 | 10 | 7 | 8 |

AZH - B 盒型快插接头

| 型号/尺寸 | A | B | C | D | E | F | G | H | Q | M | K | S |
|--------------|------|----|----|-----|---|-----|----|-------|------|-------|---|----|
| AZH05B-01-01 | 68 | 16 | 39 | 5.8 | 2 | 3.2 | 47 | Rc1/8 | 31.5 | Rc1/8 | 5 | 12 |
| AZH07B-01-01 | 68 | 16 | 39 | 5.8 | 2 | 3.2 | 47 | Rc1/8 | 31.5 | Rc1/8 | 5 | 12 |
| AZH10B-01-01 | 71 | 18 | 40 | 5.8 | 2 | 3.2 | 50 | Rc1/8 | 33.5 | Rc1/8 | 5 | 12 |
| AZH13B-01-02 | 86.5 | 23 | 50 | 7.5 | 3 | 4.2 | 61 | Rc1/8 | 36.5 | Rc1/4 | 7 | 14 |

AZH - B 盒型内螺纹连接

真空发生器

AZK

AZX

AZD

AGS

AGB

AGP

AGX

AGE

ABM/ABX

ABM/ABX
组合式

AMC

AM/AL/AH

AM/AL
组合式

AMD

AZVW

AZR

ABT

ABP

ABQ

AEVC

AZL

AZH

AZU

ACV

ASBP

ALS

ACP

ACPF

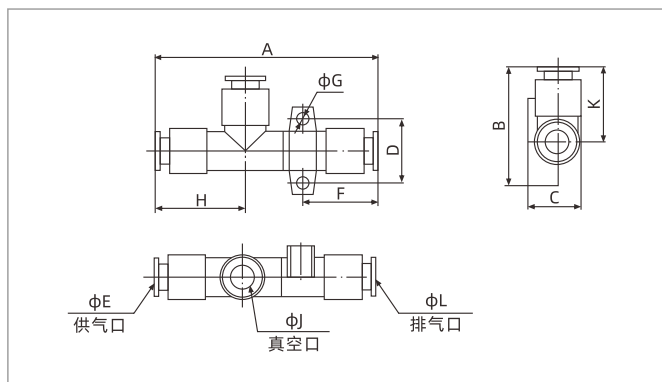
ACPS

APB

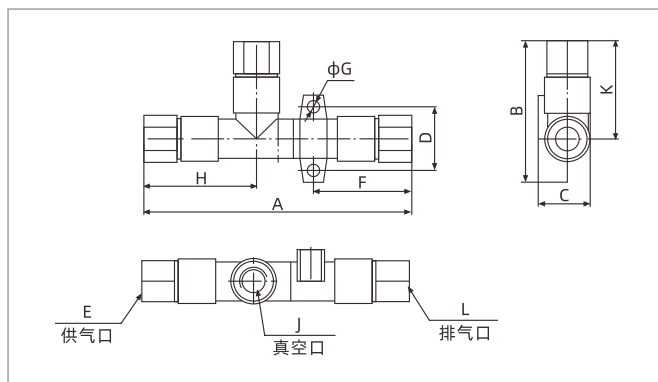
AZH系列

基本型真空发生器

尺寸规格 (mm)



AZH - D 单体型快插接头



AZH - D 单体型内螺纹连接

| 型号/尺寸 | A | B | C | D | E | F | G | H | L | K | J |
|------------------|-------|------|------|------|----|------|-----|------|----|------|----|
| AZH05DS-06-06-06 | 58.5 | 34.0 | 14.2 | 17.0 | 6 | 21.0 | 3.2 | 24.0 | 6 | 22.0 | 6 |
| AZH07DS-06-06-06 | 61.0 | 34.0 | 14.2 | 17.0 | 6 | 22.0 | 3.2 | 24.0 | 6 | 22.0 | 6 |
| AZH10DS-06-06-08 | 66.0 | 37.0 | 17.2 | 20.0 | 6 | 24.5 | 4.2 | 26.0 | 8 | 23.0 | 6 |
| AZH10DL-06-06-08 | 70.0 | 37.0 | 17.2 | 20.0 | 6 | 24.5 | 4.2 | 26.0 | 8 | 23.0 | 6 |
| AZH13DS-08-10-10 | 74.0 | 42.5 | 20.0 | 22.0 | 8 | 27.0 | 4.2 | 28.0 | 10 | 27.5 | 10 |
| AZH13DL-08-10-10 | 79.5 | 42.5 | 20.0 | 22.0 | 8 | 27.0 | 4.2 | 28.0 | 10 | 27.5 | 10 |
| AZH15DS-10-12-12 | 93.3 | 47.0 | 22.5 | 27.0 | 10 | 32.8 | 4.2 | 31.5 | 12 | 29.5 | 12 |
| AZH18DS-12-12-12 | 114.0 | 41.0 | 21.0 | 10.0 | 12 | 50.0 | 3.5 | 35.5 | 12 | 30.5 | 12 |
| AZH20DS-12-16-16 | 124.6 | 46.0 | 27.0 | 12.0 | 12 | 54.3 | 3.5 | 38.5 | 16 | 32.7 | 16 |

AZH - D 单体型快插接头

| 型号/尺寸 | A | B | C | D | E | F | G | H | L | K | J |
|------------------|-------|------|------|------|-------|------|-----|------|-------|------|-------|
| AZH05DS-01-01-01 | 73.5 | 41.5 | 14.2 | 17.0 | Rc1/8 | 28.5 | 3.2 | 31.5 | Rc1/8 | 29.5 | Rc1/8 |
| AZH07DS-01-01-01 | 76.0 | 41.5 | 14.2 | 17.0 | Rc1/8 | 29.5 | 3.2 | 31.5 | Rc1/8 | 29.5 | Rc1/8 |
| AZH10DS-01-01-01 | 82.0 | 44.5 | 17.2 | 20.0 | Rc1/8 | 33.0 | 4.2 | 33.5 | Rc1/8 | 30.5 | Rc1/8 |
| AZH10DL-01-01-01 | 86.0 | 44.5 | 17.2 | 20.0 | Rc1/8 | 33.0 | 4.2 | 33.5 | Rc1/8 | 30.5 | Rc1/8 |
| AZH13DS-01-02-02 | 94.5 | 54.0 | 20.0 | 22.0 | Rc1/8 | 38.5 | 4.2 | 36.5 | Rc1/4 | 39.0 | Rc1/4 |
| AZH13DL-01-02-02 | 99.5 | 54.0 | 20.0 | 22.0 | Rc1/8 | 38.5 | 4.2 | 36.5 | Rc1/4 | 39.0 | Rc1/4 |
| AZH15DS-02-03-03 | 116.5 | 58.5 | 22.5 | 27.0 | Rc1/4 | 44.5 | 4.2 | 43.0 | Rc3/8 | 41.0 | Rc3/8 |
| AZH18DS-03-03-03 | 133.0 | 52.5 | 21.0 | 10.0 | Rc3/8 | 57.5 | 3.5 | 47.0 | Rc3/8 | 42.0 | Rc3/8 |
| AZH20DS-03-04-04 | 151.0 | 61.0 | 27.0 | 12.0 | Rc3/8 | 69.3 | 3.5 | 50.0 | Rc1/2 | 47.7 | Rc1/2 |

AZH - D 单体型内螺纹连接