

PJP系列

通用型快插接头



通用

特点

- ◇ 本体为铜合金，适用于恶劣环境下使用，寿命长
- ◇ 作用于真空系统中的连接元件
- ◇ 多种款式可供选择



型号规格

PJP - ① - A4 - M5M
② ③ ④

① 产品系列	② 插管方向	③ 插管规格	④ 螺纹规格
PJP	I - 垂直方向	A4 - φ4软管	M5M - M5×0.8外螺纹
	L - 水平方向	A6 - φ6软管	G1M - G1/8外螺纹
	LT - 水平方向，顶部六角	A8 - φ8软管	G2M - G1/4外螺纹
	T - 两端水平方向	A10 - φ10软管	G3M - G3/8外螺纹
	QT - 三头T形方向	A12 - φ12软管	G4M - G1/2外螺纹
			A14 - φ14软管

选型规格

型号/类型 垂直方向		水平方向		水平方向，顶部六角		两端水平方向		三头T形方向	
PJP-I-A4-M5M	PJP-I-A8-G3M	PJP-L-A4-M5M	PJP-L-A10-G2M	PJP-LT-A4-M5M		PJP-T-A4-M5M		PJP-QT-A4	
PJP-I-A4-G1M	PJP-I-A10-G3M	PJP-L-A4-G1M	PJP-L-A12-G2M	PJP-LT-A6-G1M		PJP-T-A4-G1M		PJP-QT-A6	
PJP-I-A6-G1M	PJP-I-A12-G3M	PJP-L-A6-G1M	PJP-L-A8-G3M	PJP-LT-A8-G2M		PJP-T-A6-G1M		PJP-QT-A8	
PJP-I-A8-G1M	PJP-I-A14-G3M	PJP-L-A8-G1M	PJP-L-A10-G3M			PJP-T-A8-G1M		PJP-QT-A10	
PJP-I-A6-G2M	PJP-I-A10-G4M	PJP-L-A4-G2M	PJP-L-A12-G3M			PJP-T-A6-G2M		PJP-QT-A12	
PJP-I-A8-G2M	PJP-I-A12-G4M	PJP-L-A6-G2M	PJP-L-A10-G4M			PJP-T-A8-G2M		PJP-QT-A14	
PJP-I-A10-G2M	PJP-I-A14-G4M	PJP-L-A8-G2M	PJP-L-A12-G4M			PJP-T-A10-G2M			
PJP-I-A12-G2M						PJP-T-A12-G2M			

安装配件

PSPE

PSPL

PSPS

PSPT

PSPH

PSPD

PSPF

PJS

PJT

PJF

PJB

PJE

PJH

PJP

PJQ

PDA

PDR

PTS

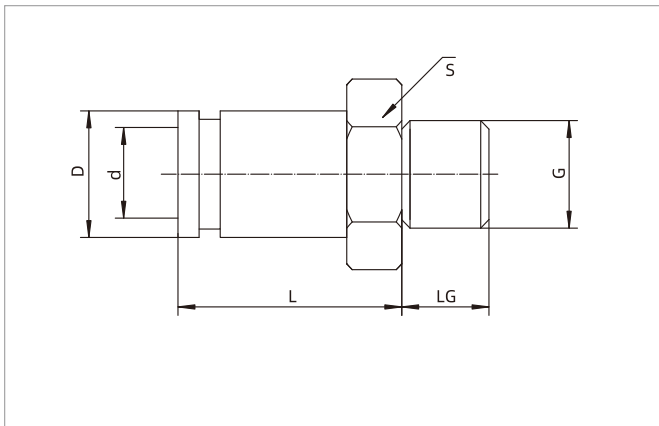
PTK

PSW

PJP系列

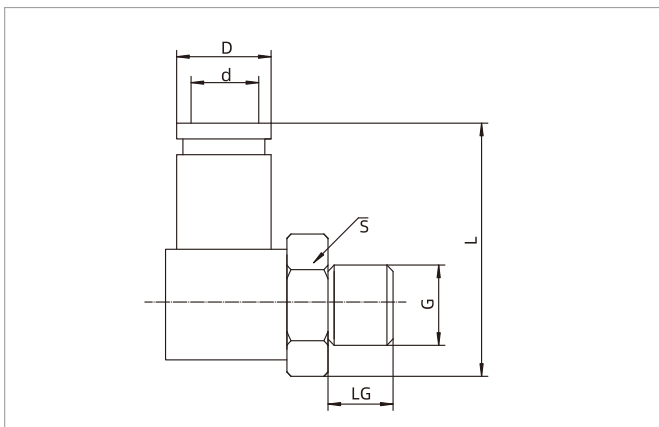
通用型快插接头

尺寸规格 (mm)



PJP-I-A8-□

型号/尺寸	d	D	L	LG	G	S
PJP-I-A4-M5M	4	8.8	16	3.7	M5×0.8	9
PJP-I-A4-G1M	4	8.8	13	5	G1/8	10
PJP-I-A6-G1M	6	11.8	18	5	G1/8	12
PJP-I-A8-G1M	8	13.5	22.5	5	G1/8	14
PJP-I-A6-G2M	6	11.8	17	6	G1/4	12
PJP-I-A8-G2M	8	13.8	19.5	6	G1/4	14
PJP-I-A10-G2M	10	15.6	23	6	G1/4	16
PJP-I-A12-G2M	12	18	23	6	G1/4	19
PJP-I-A8-G3M	8	13.8	16.5	7	G3/8	14
PJP-I-A10-G3M	10	16	19.5	7	G3/8	17
PJP-I-A12-G3M	12	18	22	7	G3/8	19
PJP-I-A14-G3M	14	20.5	26.5	7	G3/8	21
PJP-I-A10-G4M	10	16	15.5	8	G1/2	17
PJP-I-A12-G4M	12	18	17	8	G1/2	19
PJP-I-A14-G4M	14	20.5	23	8	G1/2	24



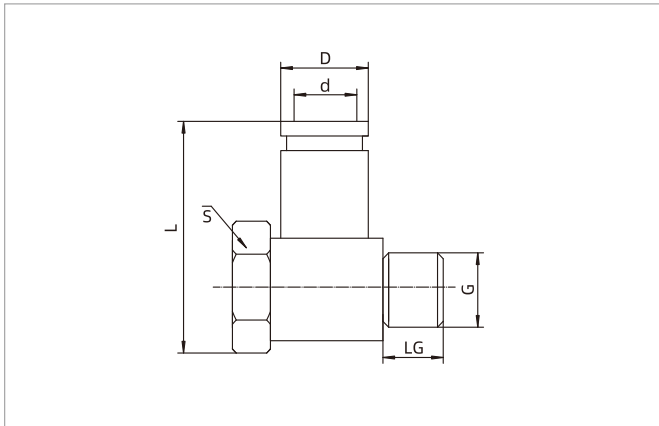
PJP-L-A8-□

型号/尺寸	d	D	L	LG	G	S
PJP-L-A4-M5M	4	8.5	22	3.7	M5×0.8	8
PJP-L-A4-G1M	4	8.5	24.5	5	G1/8	10
PJP-L-A6-G1M	6	12	29.5	5	G1/8	12
PJP-L-A8-G1M	8	14	32	5	G1/8	12
PJP-L-A4-G2M	4	8.5	26	6	G1/4	12
PJP-L-A6-G2M	6	12	30.5	6	G1/4	12
PJP-L-A8-G2M	8	14	33.5	6	G1/4	12
PJP-L-A10-G2M	10	16	37	6	G1/4	16
PJP-L-A12-G2M	12	18	38	6	G1/4	16
PJP-L-A8-G3M	8	14	36	7	G3/8	19
PJP-L-A10-G3M	10	16	38	7	G3/8	19
PJP-L-A12-G3M	12	18	39	7	G3/8	19
PJP-L-A10-G4M	10	16	41.5	8	G1/2	24
PJP-L-A12-G4M	12	18	42.5	8	G1/2	24

PJP系列

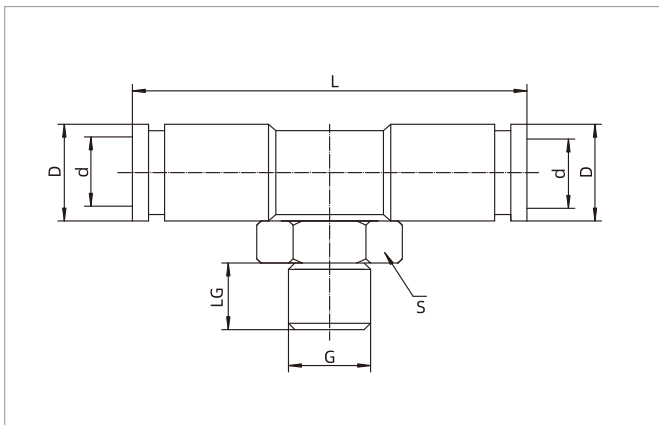
通用型快插接头

尺寸规格 (mm)



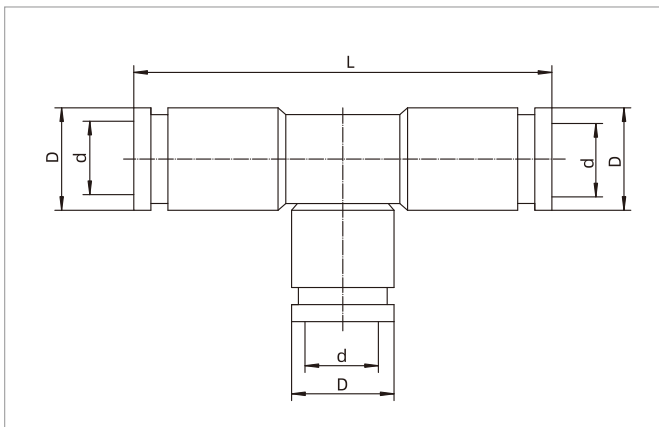
PJP-LT-A8-□

型号/尺寸	d	D	L	LG	G	S
PJP-LT-A4-M5M	4	9	25	3.7	M5×0.8	8
PJP-LT-A6-G1M	6	12	33.5	5	G1/8	12
PJP-LT-A8-G2M	8	14	37.5	6	G1/4	14



PJP-T-A8-□

型号/尺寸	d	D	L	LG	G	S
PJP-T-A4-M5M	4	8.5	34.5	3.7	M5×0.8	10
PJP-T-A4-G1M	4	8.5	34.5	5	G1/8	12
PJP-T-A6-G1M	6	12	46.5	5	G1/8	12
PJP-T-A8-G1M	8	14	51	5	G1/8	12
PJP-T-A6-G2M	6	12	46.5	6	G1/4	12
PJP-T-A8-G2M	8	14	51	6	G1/4	12
PJP-T-A10-G2M	10	16	55.5	6	G1/4	16
PJP-T-A12-G2M	12	18	57.5	6	G1/4	16



PJP-QT-□

型号/尺寸	d	D	L
PJP-QT-A4	4	8.5	33.5
PJP-QT-A6	6	12	44.5
PJP-QT-A8	8	14	48.5
PJP-QT-A10	10	16	50.5
PJP-QT-A12	12	18	53.5
PJP-QT-A14	14	20	66

安装配件

- PSPE
- PSPL
- PSPS
- PSPT
- PSPH
- PSPD
- PSPF
- PJS
- PJT
- PJF
- PJB
- PJE
- PJH
- PJP**
- PJQ
- PDA
- PDR
- PTS
- PTK
- PSW